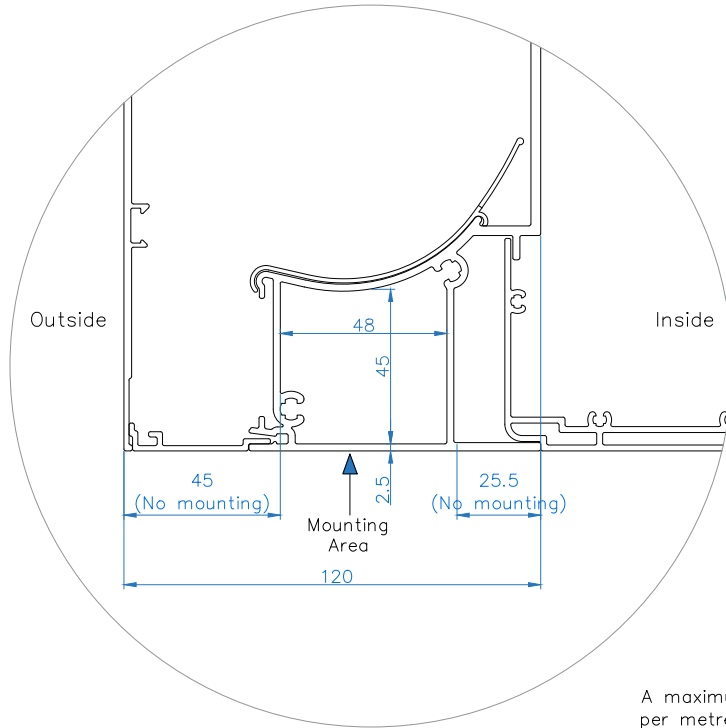
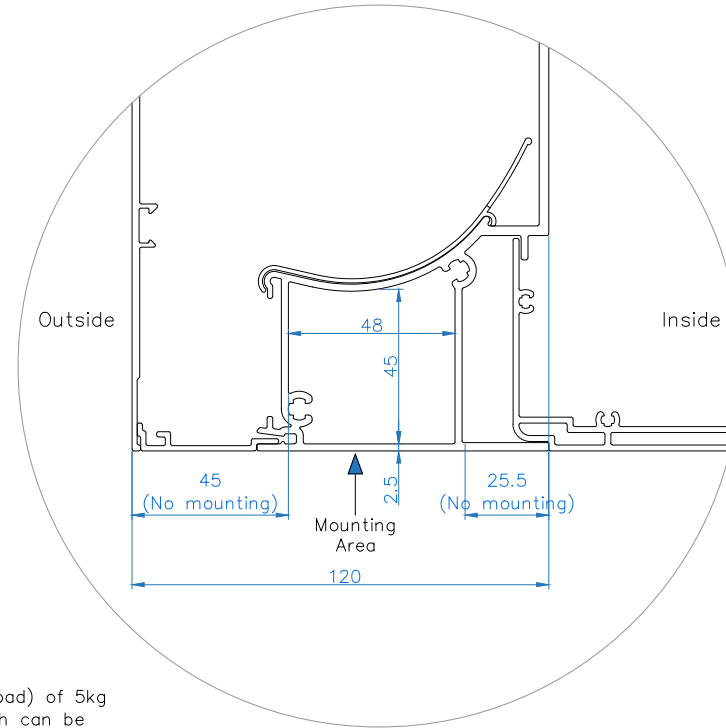


Material: Alu

'L' Cross Beam




'W' Cross Beam



A maximum weight (load) of 5kg per metre length/width can be applied to the underside of the crossbeam

All dimensions are shown in millimetres unless otherwise stated

 CARIBBEAN BLINDS UK LTD	Tel: 0344 800 1947		It is Caribbean Blinds UK Ltd policy to continuously develop and improve our products. We therefore reserve the right to modify or change the detail/design at our discretion and without prior notice. This drawing is the copyright and sole property of Caribbean Blinds UK Ltd. The design/information is private and confidential. It must not be copied, exhibited or communicated to third parties for any purpose other than that for which it was issued without the written consent of Caribbean Blinds UK Ltd.	
	info@cbsolarshading.co.uk	www.cbsolarshading.co.uk		
	HEAD OFFICE, FACTORY & SHOWSITE			
	Woodhall Business Park, Sudbury, Suffolk, CO10 1WH			
Drawing Name: Prestige Pod Cross Beam – Mounting Area			Drawing Number: CB/OLP/PRE/CB-MA	
Date: 13/12/2024			Scale: NTS	Rev: A
			Drawn By: CB	