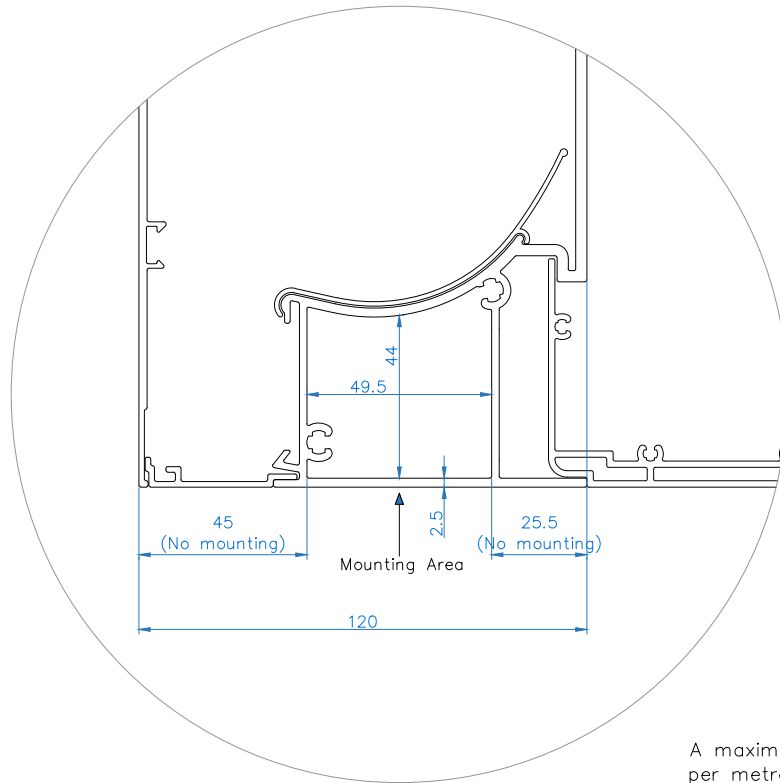
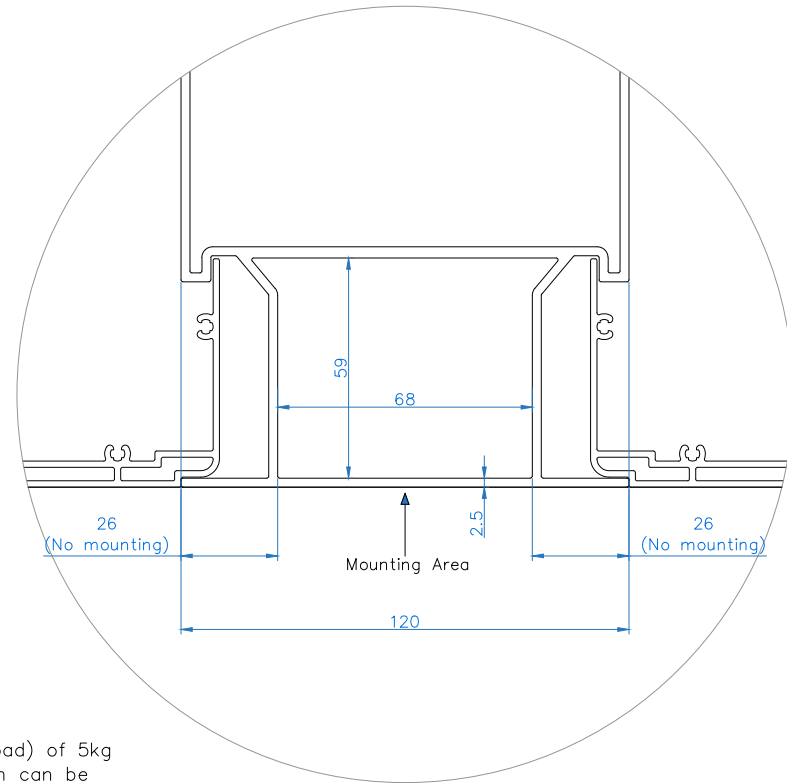


Material: Alu

Outer Cross Beam



Link Beam



A maximum weight (load) of 5kg per metre length/width can be applied to the underside of the crossbeam

All dimensions are shown in millimetres unless otherwise stated



**CARIBBEAN
BLINDS UK LTD**

Tel: 0344 800 1947

info@cbsolarshading.co.uk

www.cbsolarshading.co.uk

HEAD OFFICE, FACTORY & SHOWSITE
Woodhall Business Park, Sudbury, Suffolk, CO10 1WH

It is Caribbean Blinds UK Ltd policy to continuously develop and improve our products. We therefore reserve the right to modify or change the detail/design at our discretion and without prior notice. This drawing is the copyright and sole property of Caribbean Blinds UK Ltd. The design/information is private and confidential. It must not be copied, exhibited or communicated to third parties for any purpose other than that for which it was issued without the written consent of Caribbean Blinds UK Ltd.

Drawing Name: Deluxe + Pod Cross Beam – Mounting Area

Drawing Number: CB/OLP/DEL+/CB-MA

Date: 17/12/2024

Scale: NTS

Drawn By: CB